



LINQ™

DESIGN **MATTHEW WEATHERLY**

A versatile storage piece with modern appeal, the LINQ Entry Cabinet offers concealed organization in a refined, compact form—perfect for entryways, hallways, or anywhere a little extra storage is needed.

7585 ENTRY CABINET

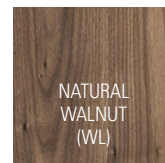
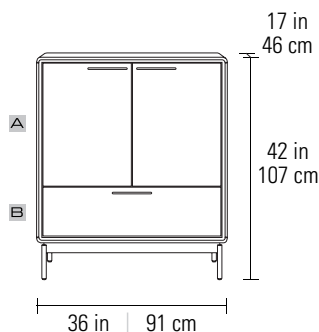
Overall Dimensions 42H x 36 x 17 in | 107H x 91 x 46 cm
 Number of Adjustable Shelves 2
 Weight 172 lbs | 78 kg

A Interior Compartment

Dimensions 23.5H x 33.75 x 14.75 in
 60H x 86 x 38 cm
 Adjustable Shelf Capacity 30 lbs | 13 kg
 Bottom Shelf Capacity 75 lbs | 34 kg

B Drawer

Dimensions 6.75H x 32.75 x 12.75 in
 18H x 82 x 33 cm
 Capacity 40 lbs | 18 kg



For product info and detailed specs, visit bdiusa.com/linq