



ELEMENTS®

DESIGN **MATTHEW WEATHERLY**

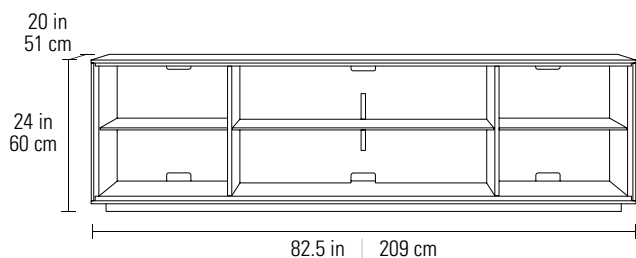
The Elements collection is a fusion of modern sophistication and timeless design. A BDI classic, inside the cabinet you find thoughtful engineering: adjustable shelves, wire management, removable back panels, and IR-compatibility, all designed to make sure the collection is as functional as it is beautiful.

8703 ROLLING PLINTH BASE 24"H

Recommended TV Size	up to 85"
Overall Dimensions	24H x 82.5 x 20 in 60H x 209 x 51 cm
Top Shelf Capacity	150 lbs 69 kg
Bottom Shelf Capacity	100 lbs 45 kg
Component Capacity	8-12
Number of Adjustable Shelves	3
Weight	196 lbs 89 kg

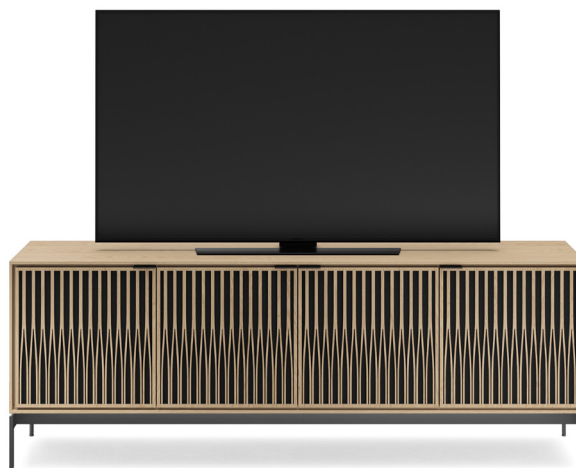


8703-CS-TOK

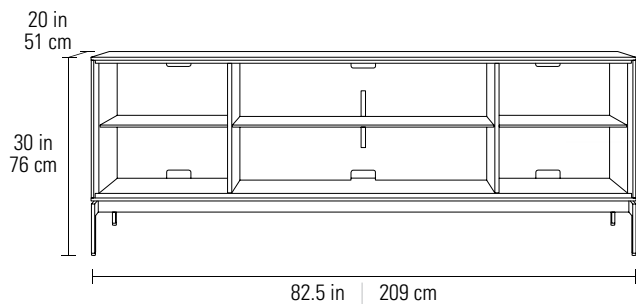


8709 CONSOLE BASE 30"H

Recommended TV Size	up to 85"
Overall Dimensions	30H x 82.5 x 20 in 76H x 209 x 51 cm
Top Shelf Capacity	150 lbs 68 kg
Bottom Shelf Capacity	100 lbs 45 kg
Component Capacity	8-12
Number of Adjustable Shelves	3
Weight	216 lbs 98 kg



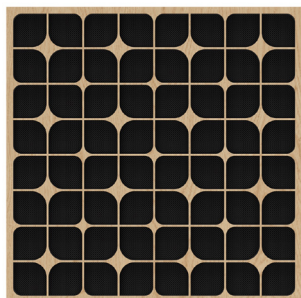
8709-TU-WOK



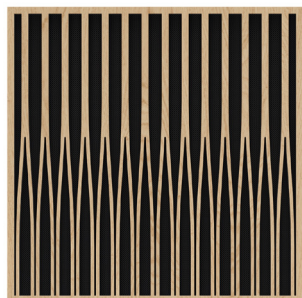
ELEMENTS®

DOOR DESIGNS

Available in three unique patterns, Elements' doors are crafted with precision laser carving, marrying beauty with functionality. Backed with a mesh and fabric liner, the design of the doors provides acoustic transparency, ventilation, and remote access—a harmonious blend of style and practicality.



Constellation (CS)



Tune (TU)



Weave (WE)

WOOD FINISHES

Elements is available three distinct wood finishes to complement a variety of settings.



Natural Walnut (WL)



Washed Oak (WOK)



Toasted Oak (TOK)



8709 Console Base Constellation in Washed Oak (8709-CS-WOK)



8703 Rolling Plinth Base Weave in Toasted Oak (8703-WE-TOK)



For product info and detailed specs, visit bdiusa.com/elements

