



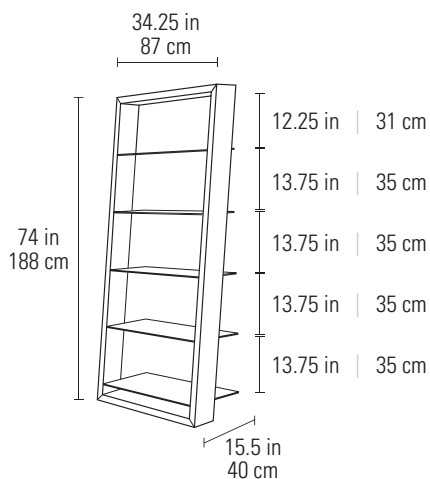
EILEEN™

DESIGN **MATTHEW WEATHERLY**

The Eileen shelf looks great solo or combined in groups, filling an entire wall. Eileen is incredibly solid and its tempered, grey-tinted glass shelves are perfect for holding books or displaying your favorite collectibles.

5166 LEANING SHELF

Dimensions	74H x 34.25 x 15.5 in 188H x 87 x 40 cm
Shelf Depth (Top to Bottom)	7.5–13.75 in 19–35 cm
Shelf Clearance (See Drawing)	12.25–13.75 in 31–35 cm
Shelf Capacity	50 lbs 23 kg
Weight	86 lbs 39 kg



For product info and detailed specs, visit bdiusa.com/eileen

CHARCOAL
STAINED
ASH
(CRL)

CHOCOLATE
STAINED
WALNUT
(CWL)

NATURAL
WALNUT
(WL)

SATIN WHITE
(SW)