

**Standard Features:**

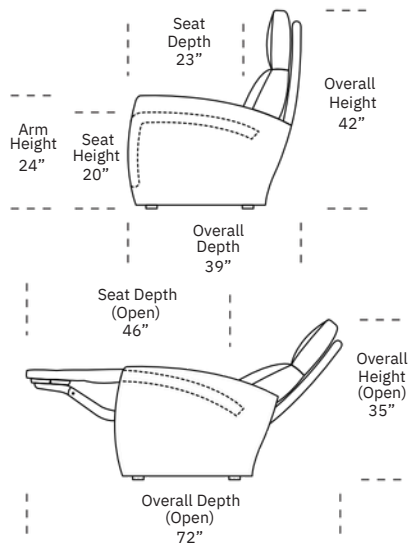
- Premium high-density, high-resiliency foam seat cushion
- Semi-attached back cushion
- Tight seat cushion
- Articulating headrest
- Motorized recliner with an in-arm control panel that is easy to use and includes a USB-C charging port
- Stainless steel cup holder with adjustable LED lighting
- Stainless steel footrest extension hides all mechanical linkages
- Left, right, and armless pieces (LA/RA/AA) are designed to connect using an insert (INS-06 or INS-09)
- Motor and electronics have a three-year warranty
- Limited lifetime warranty on frame and suspension
- Ten-year warranty on mechanism
- Quick-ship delivery

**Options:**

- Two-tone contrast available (First tone includes outer shell and arms. Second tone includes headrest, back cushion and seat cushion.)
- Stainless steel cup holder without LED lighting
- No cup holder
- Lithium-ion battery pack available
- Battery pack has a one-year warranty
- Extra-firm seating option (Seat cushion, back cushion and headrest)
- Headrest cover available

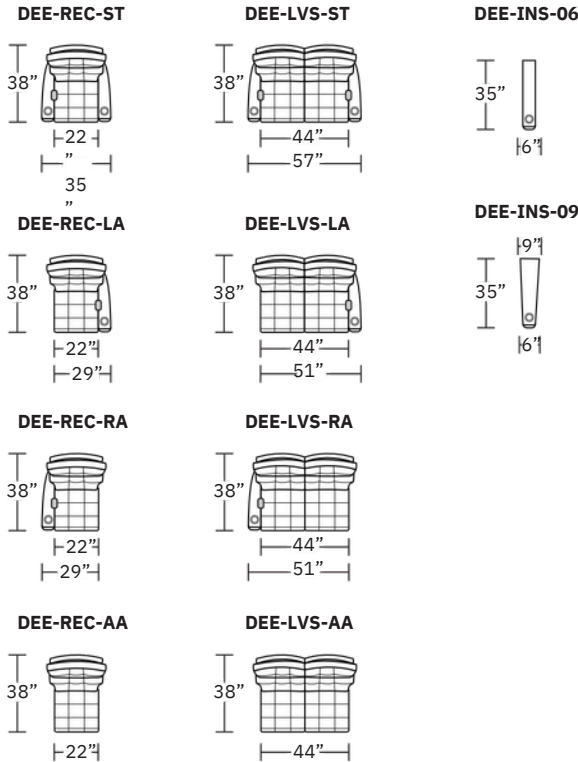
Please use actual leather, fabric, Crypton®, Sunbrella® and Ultrasuede® swatches when specifying furniture as the colors shown may vary due to the printing process.

**NOTE:** Please be advised that microfiber fabrics like SUEDELIFE and VEELIFE, and velvet fabrics such as JENSON, REED, and SURI, are not recommended for this style. For a comprehensive list of covers that are NOT suggested, please contact American Leather Support Services. This information can also be found on the fabric landing pages of our website or by scanning the swatch QR code.



**Note:** Necessary Wall Clearance is 14"

U.S. Patent #8882190. Additional patents pending.



**Important Note:**

0 - This denotes power control box on arm

Scale : 1/8 inch = 1 foot  
 All dimensions are approximate and subject to change.  
 Specify all components from the sitting position.

