

**Standard Features:**

- Premium high-density, high-resiliency foam seat cushion
- Single-needle top-stitch
- Tufted semi-attached back cushion
- Tight seat cushion
- Articulating headrest
- Stainless steel footrest extension hides all mechanical linkages
- Quick-ship delivery
- Limited lifetime warranty on frame
- Ten-year warranty on mechanism

**Options:**

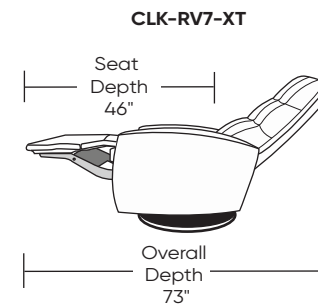
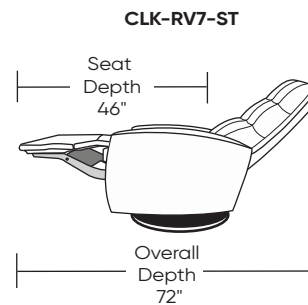
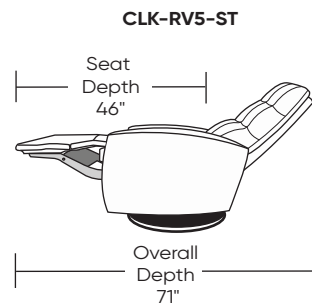
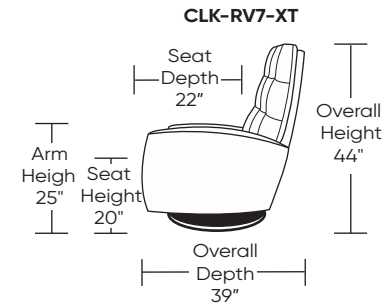
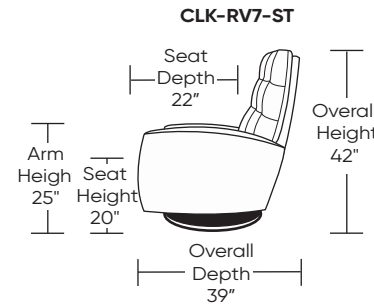
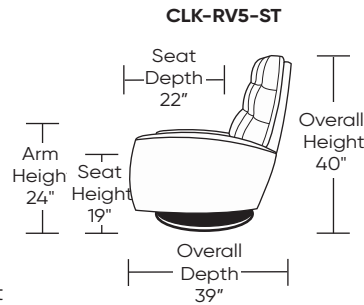
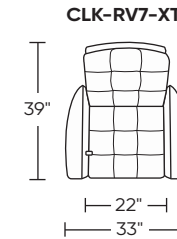
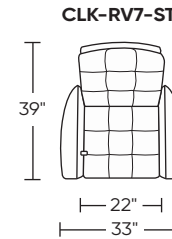
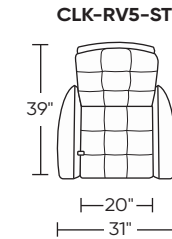
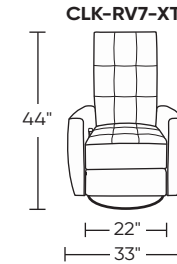
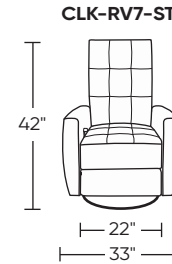
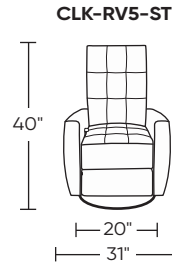
- Wood disc base available in Dune, Ebony, Mink, or Oiled Ash finish
- Wood disc base available in Natural Walnut
- Metal disc base available in Brushed Stainless Steel
- Metal four star base available in Antique Brass, Burnished Bronze or Polished Nickel
- Fixed wood legs available in Natural Walnut
- Fixed wood legs available in Dune, Ebony, Mink, or Oiled Ash finish
- Four star base combining a metal foundation with sleek Natural Walnut accents
- Extra firm seating option (Seat cushion, back cushion, and headrest)
- Stainless Steel lever available on manual recliner
- Headrest cover available
- Order HRC-RV5-TT or HRC-RV7-TT

**Additional Power Options:**

- Motorized recliner with an in-arm control panel that is easy to use and includes a USB-C charging port
- Motor and electronics have a three-year warranty
- Lithium-ion battery pack available
- Battery pack has a one-year warranty

Please use actual leather, fabric, Crypton®, Sunbrella® and Ultrasuede® swatches when specifying furniture as the colors shown may vary due to the printing process.

Wall clearance is 12-17"



Microfiber fabrics such as SUEDELIFE and VEELIFE not suggested for this style

U.S. Patent # 8882190 & 9504328  
 China Patent #201280015832, 201510836445, & 201510836650  
 Additional patents pending  
 All dimensions are approximate and subject to change