



CENTRO™ OFFICE Create an elegant and functional workspace with CENTRO. Providing generous work surfaces and multiple options for file and supply storage, CENTRO can be assembled in a variety of configurations for office spaces large or small. The collection features grey, micro-etched glass tops, white painted oak veneers, and white powder-coated steel details.

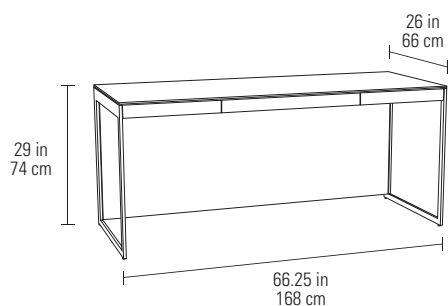
CENTRO™ OFFICE

DESIGN **MATTHEW WEATHERLY**

6401 DESK

- Integrated system drawer includes keyboard/mouse tray and storage for rechargeable items.
- Magnetically attached front and back panels tilt or are removable for easy access to concealed wiring. When placed against a wall, the back panel can be left off for direct access to wall outlets.
- A power strip can be attached with the included magnetic mounting kit (power strip not included).

Overall Dimensions (H x W x D) 29 x 66.25 x 26 in | 74 x 168 x 66 cm
 Top Capacity 75 lbs | 34 kg
 Weight 113 lbs | 51 kg

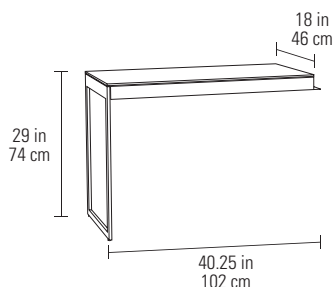


CENTRO Desk 6401 includes a multi-function drawer lined with non-slip material to keep a keyboard, mouse and rechargeable electronics in place.

6402 RETURN

- Micro-etched, grey glass top provides a smooth work surface.
- Can be attached to other CENTRO components with sturdy, steel connections.
- Attaches to CENTRO Desk 6401, 3-Drawer File Cabinet 6414, Lateral File Cabinet 6416, and Multifunction Cabinet 6417.

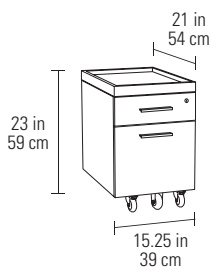
Overall Dimensions (H x W x D) 29 x 40.25 x 18 in | 74 x 102 x 46 cm
 Top Capacity 75 lbs | 34 kg
 Weight 38 lbs | 17 kg



6407 MOBILE FILE PEDESTAL

- File pedestal with locking storage drawer and letter or legal file drawers.
- Top storage tray pulls out for easy access to regularly used items.
- Pedestal rest on locking casters.
- Designed to fit neatly under the CENTRO Desk 6401.

Overall Dimensions (H x W x D) 23 x 15.25 x 21 in | 59 x 39 x 54 cm
 Weight 60 lbs | 27 kg

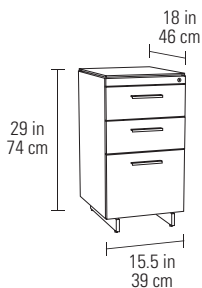


Mobile File Pedestal 6407's top tray slides out for easy access to everyday supplies.

6414 3-DRAWER FILE CABINET

- Micro-etched glass top beautifully extends the workspace.
- Integrated lock keeps contents secure.
- Includes two storage drawers and a file drawer for hanging letter or legal-sized folders.

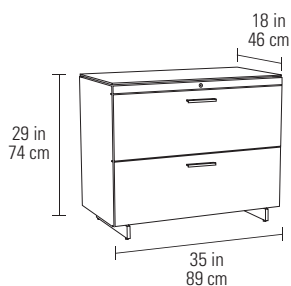
Overall Dimensions (H x W x D) 29 x 15.5 x 18 in | 74 x 39 x 46 cm
 Weight 85 lbs | 39 kg



6416 LATERAL FILE CABINET

- Locking file cabinet offers secure storage for legal and/or letter-sized hanging files.
- For safety, drawers include interlock anti-tip hardware, allowing only one drawer to open at a time. A rear counterweight provides stability.

Overall Dimensions (H x W x D) 29 x 35 x 18 in | 74 x 89 x 46 cm
 File Drawer Capacity 65 lbs | 29.5 kg
 Weight 152 lbs | 69 kg

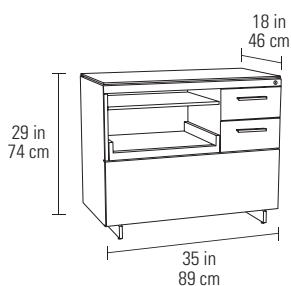


File drawers can accommodate hanging letter and/or legal files.

6417 MULTIFUNCTION CABINET

- Perfect all-purpose piece for a small office.
- Integrated lock keeps contents secure.
- Open compartment includes a pullout printer tray and an adjustable shelf.
- Includes two storage drawers for supplies and a file drawer for legal and/or letter-sized hanging files.

Overall Dimensions (H x W x D) 29 x 35 x 18 in | 74 x 89 x 46 cm
 Printer Compartment (H x W x D) 10.7 x 20 x 17.2 in | 27.3 x 50.8 x 43.9 cm
 File Drawer Capacity 65 lbs | 29.5 kg
 Weight 141 lbs | 64 kg





CENTRO Desk 6401 with Mobile File Pedestal 6407 and Multifunction Cabinet 6417.



CENTRO Return 6402 can attach to any of the cabinets to create a compact workstation.



Create a shared workspace by adding a CENTRO Return 6402 to either side of a cabinet.



The CENTRO Return 6402 attaches to the Desk 6401 and Cabinets 6414, 6416 and 6417 to create a workspace of any size.



CENTRO Office Collection



 SATIN WHITE/
 GREY GLASS TOP